

## FWCA-42-K

### WR-42 to 2.92mm

Features:  
\* Low VSWR

Applications:  
\* Wireless  
\* Transmitter  
\* Laboratory Test  
\* Radar

#### Electrical

Frequency: 17.6~26.7GHz  
VSWR: 1.2 max.

#### Mechanical

Coax Connectors: 2.92mm  
Waveguide Size: WR-42  
Flange: FBP220  
Material: Brass

#### Environmental

Operating Temperature: -70~+165°C

#### How To Order

##### FWCA-42-X-Y-Z

X : Connector type.

Y : Configuration type.

Z : Flange type if applicable.

Connector naming rules:

K - 2.92mm Male (Outline A, Outline B)

KF - 2.92mm Female (Outline A, Outline B)

Configuration naming rules:

E - End launch (Outline B)

R - Right angle (Outline A)

Flange naming rules:

1 - FBP (Outline A, Outline B)

2 - FDP

3 - FBM

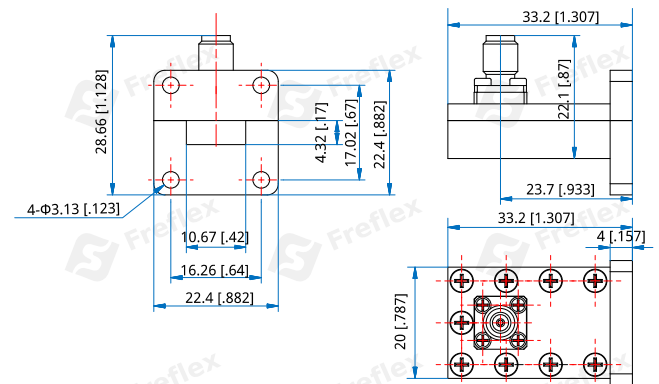
4 - FDM

Examples:

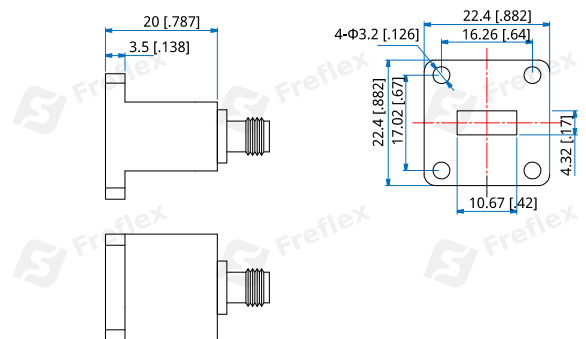
To order a waveguide to coax adapter, WR-42 to 2.92mm female, right angle, FBP, specify FWCA-42-KF-R-1.

Customization is available upon request.

#### Outline Drawings



Outline A



Outline B

Unit: mm [in]

Tolerance: ±0.2mm [±0.008in]