

## FWCA-62-N

### WR-62 to N

Features:  
\* Low VSWR

Applications:  
\* Wireless  
\* Transmitter  
\* Laboratory Test  
\* Radar

#### Electrical

|                 |            |
|-----------------|------------|
| Frequency:      | 11.9~18GHz |
| VSWR:           | 1.2 max.   |
| Insertion loss: | 0.3dB max. |
| Impedance:      | 50Ω        |

#### Mechanical

|                  |               |
|------------------|---------------|
| Coax Connectors: | N             |
| Waveguide Size:  | WR-62         |
| Flange:          | FBP140&FBM140 |
| Material:        | Aluminium     |

#### Environmental

Operating Temperature: -70~+165°C

#### How To Order

##### FWCA-62-X-Y-Z

X : Connector type.

Y : Configuration type.

Z : Flange type if applicable

Connector naming rules:

N - N Male (Outline A, Outline B)

NF - N Female (Outline A, Outline B)

Configuration naming rules:

E - End launch

R - Right angle (Outline A, Outline B)

Flange naming rules:

1 - FBP (Outline A)

2 - FDP

3 - FBM (Outline B)

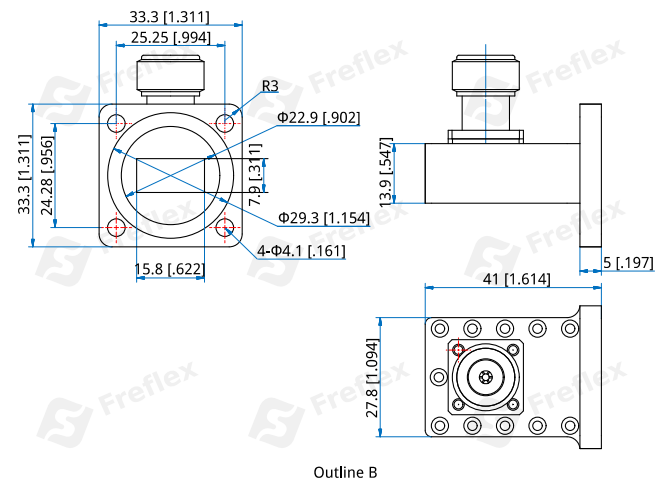
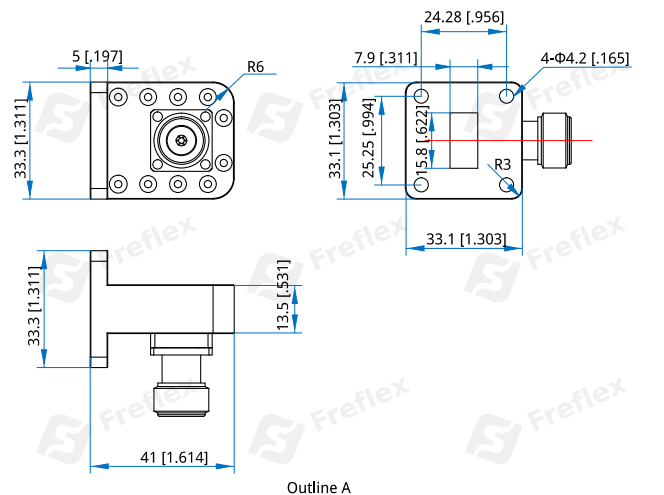
4 - FDM

Examples:

To order a waveguide to coax adapter, WR-62 to N female, right angle, FBP, specify FWCA-62-NF-R-1.

Customization is available upon request.

#### Outline Drawings



Unit: mm [in]

Tolerance: ±0.2mm [±0.008in]