

FWCA-75-N

WR-75 to N

Features:
* Low VSWR

Applications:
* Wireless
* Transmitter
* Laboratory Test
* Radar

Electrical

Frequency: 9.84~15GHz
VSWR: 1.2 max.

Mechanical

Coax Connectors: N
Waveguide Size: WR-75
Flange: FBP120
Material: Aluminium

Environmental

Operating Temperature: -70~+165°C

How To Order

FWCA-75--X-Y-Z

X : Connector type.

Y : Configuration type.

Z : Flange type if applicable

Connector naming rules:

N - N Male (Outline A, Outline B)

NF - N Female (Outline A, Outline B)

Configuration naming rules:

E - End launch (Outline B)

R - Right angle (Outline A)

Flange naming rules:

1 - FBP (Outline A, Outline B)

2 - FDP

3 - FBM

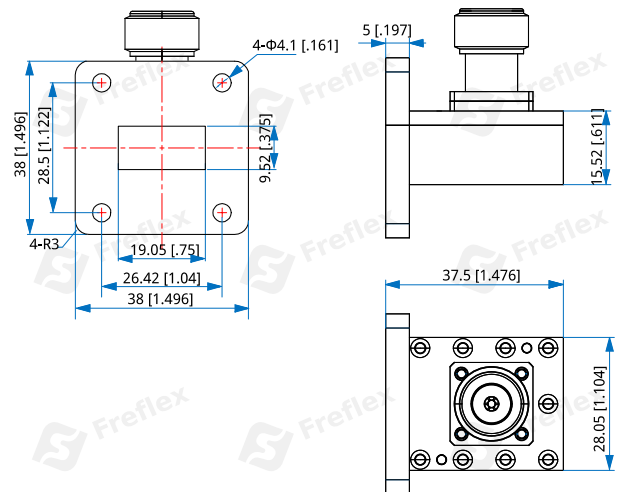
4 - FDM

Examples:

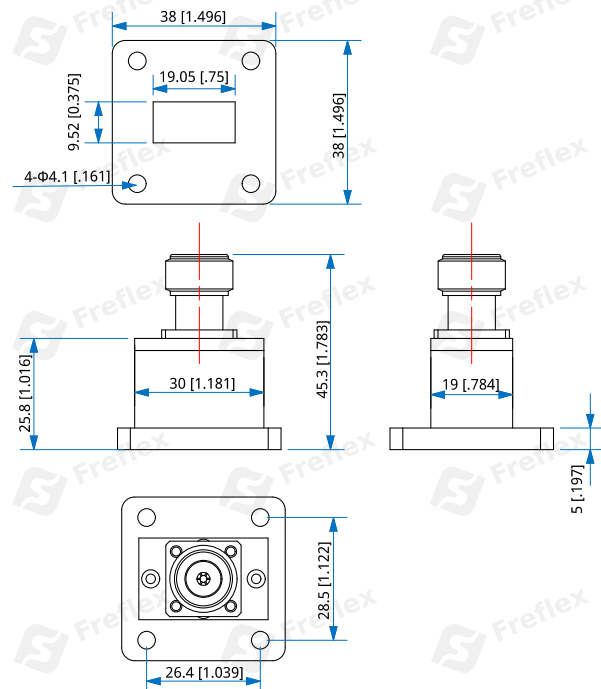
To order a waveguide to coax adapter, WR-75 to N female, right angle, FBP, specify FWCA-75-NF-R-1.

Customization is available upon request.

Outline Drawings



Outline A



Outline B

Unit: mm [in]

Tolerance: ±0.2mm [±0.008in]