

# FWCA-90-T

## WR-90 to TNC

Features:  
\* Low VSWR

Applications:  
\* Wireless  
\* Transmitter  
\* Laboratory Test  
\* Radar

### Electrical

Frequency: 8.2~12.5GHz  
VSWR: 1.2 max.

Configuration	Insertion Loss (dB max.)	Peak Power (W min.)	Average Power (W min.)
End launch	0.5	450	150
Right angle	0.3	-	-

### Mechanical

Coax Connectors: TNC  
Waveguide Size: WR-90 (BJ100)  
Flange: FBP100  
Material: Aluminium

### How To Order

#### QWCA-90-X-Y-Z

X: Connector type.

Y: Configuration type.

Z: Flange type if applicable

Connector naming rules:

T - TNC Male (Outline A, OutlineB)

TF - TNC Female (Outline A, OutlineB)

Configuration naming rules:

R - Right angle (Outline A)

E - End launch (Outline B)

Flange naming rules:

1 - FBP (Outline A, Outline B)

2 - FDP

3 - FBM

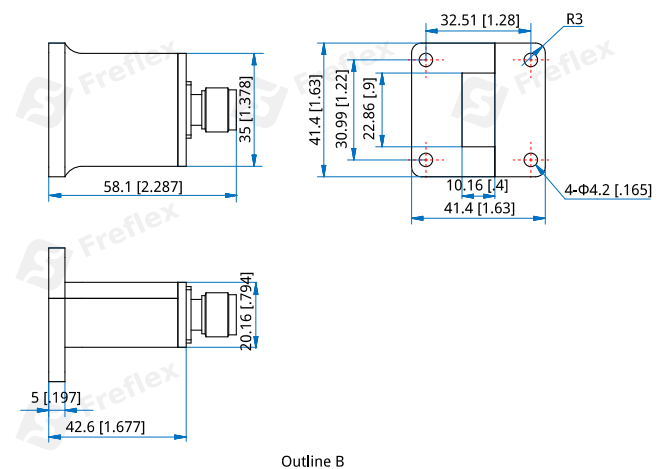
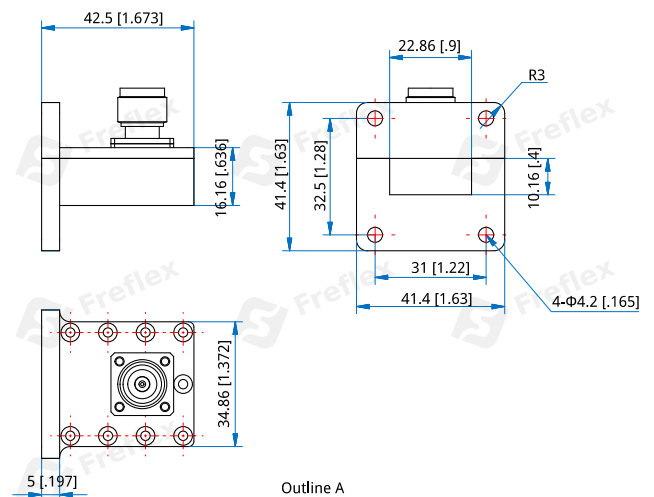
4 - FDM

Examples:

To order a waveguide to coax adapter, WR-90 to TNC female, right angle, FBP, specify FWCA-90-TF-R-1.

Customization is available upon request.

### Outline Drawings



Unit: mm [in]

Tolerance:  $\pm 0.2\text{mm}$  [ $\pm 0.008\text{in}$ ]