

FWTR-12-10

WR-12 to WR-10

Features:

- * Low VSWR
- * High Isolation

Applications:

- * Wireless
- * Transmitter
- * Laboratory Test
- * Radar

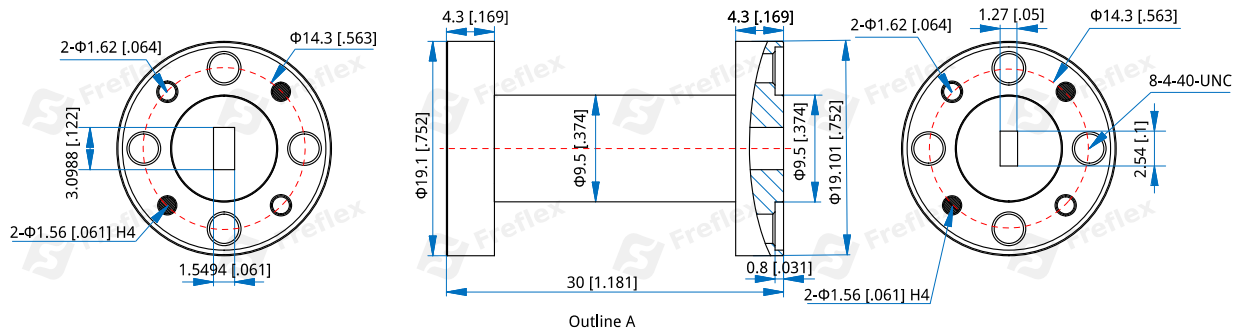
Electrical

VSWR: 1.1 max.
 Insertion Loss: 0.15dB max.

Mechanical

Waveguide Size & Flange: WR-12 (BJ740) with UG387/U
 Waveguide Size & Flange: WR-10 (BJ900) with UG387/UM
 Material: Brass
 Finishing: Gold Plated

Outline Drawings



Unit: mm [in]

Tolerance: $\pm 0.2\text{mm}$ [$\pm 0.008\text{in}$]

How To Order

FWTR-12-10-W-X-Y

W: Length

X: Material

Y: Flange type

Length in mm.

30 - 30mm (Outline A)

Material naming rules:

B - Brass (Outline A)

Flange naming rules:

7-12 - UG387/U-UG387/UM (Outline A)

Examples:

To order a Waveguide Transition, WR-12 to WR-10, 30mm, Brass, UG387/U-UG387/UM, specify FWTR-12-10-30-B-7-12.

Customization is available upon request