

FWVA-10-B-12

WR-10, Brass, UG387/UM

Features:

- * Low VSWR
- * High Attenuation Flatness

Applications:

- * Wireless
- * Transmitter
- * Laboratory Test
- * Radar

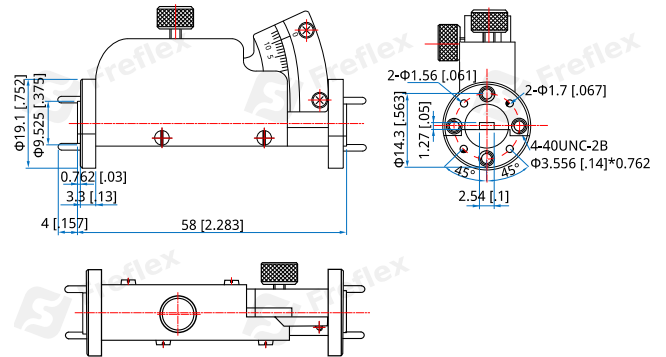
Electrical

Frequency:	73.8~110GHz
VSWR:	1.3 max.
Attenuation:	0~30dB
Starting Attenuation:	0.5dB max.

Mechanical

Waveguide Size:	WR-10 (BJ900)
Flange:	UG387/UM
Material:	Brass
Inner Cavity Coating:	Gold-Plated

Outline Drawings



Unit: mm [in]

Tolerance: $\pm 0.2\text{mm}$ [$\pm 0.008\text{in}$]

How To Order

FWVA-10-B-12

Customization is available upon request.