

FWVA-90-B-1

WR-90, Brass, FBP100

Features:

- * Low VSWR
- * High Attenuation Flatness

Applications:

- * Wireless
- * Transmitter
- * Laboratory Test
- * Radar

Electrical

Frequency:	9.2~9.8GHz
VSWR:	1.35 max.
Attenuation:	0~30dB
Average Power:	10W
Peak Power:	10KW

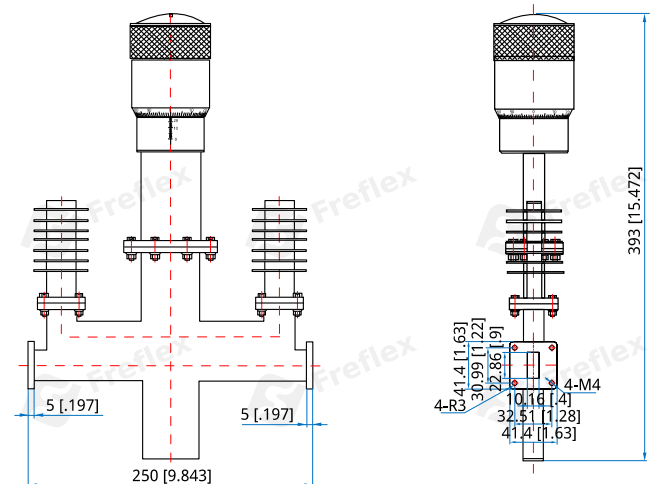
Mechanical

Waveguide Size:	WR-90 (BJ100)
Flange:	FBP100
Material:	Brass
Inner Cavity Coating:	Silver-Plated
Paint Color:	Sea Grey Paint

Environmental

Temperature:	-40~+85°C
--------------	-----------

Outline Drawings



Unit: mm [in]

Tolerance: ± 0.1 mm [± 0.004 in]

How To Order

FWVA-90-B-1

Customization is available upon request.